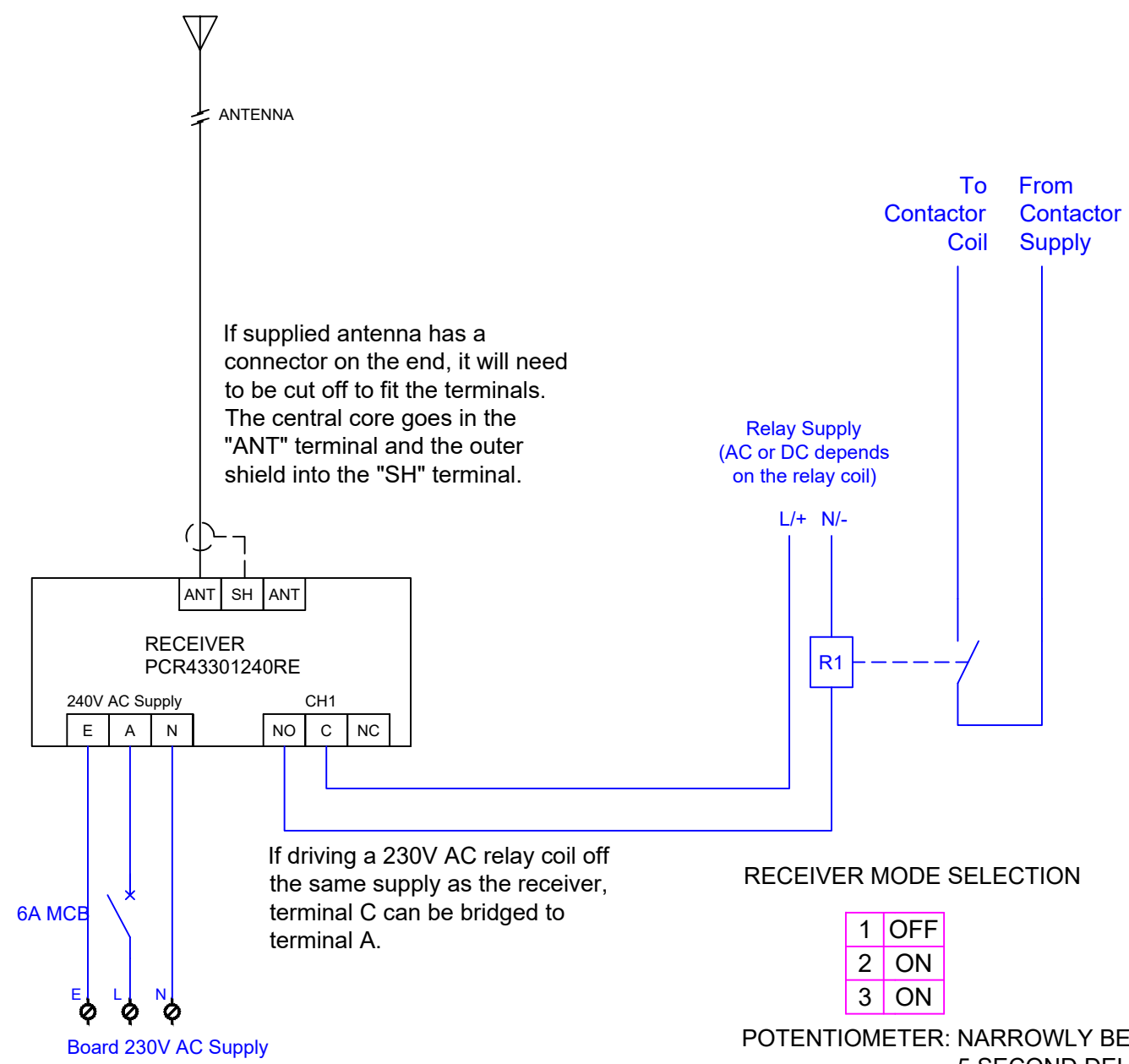
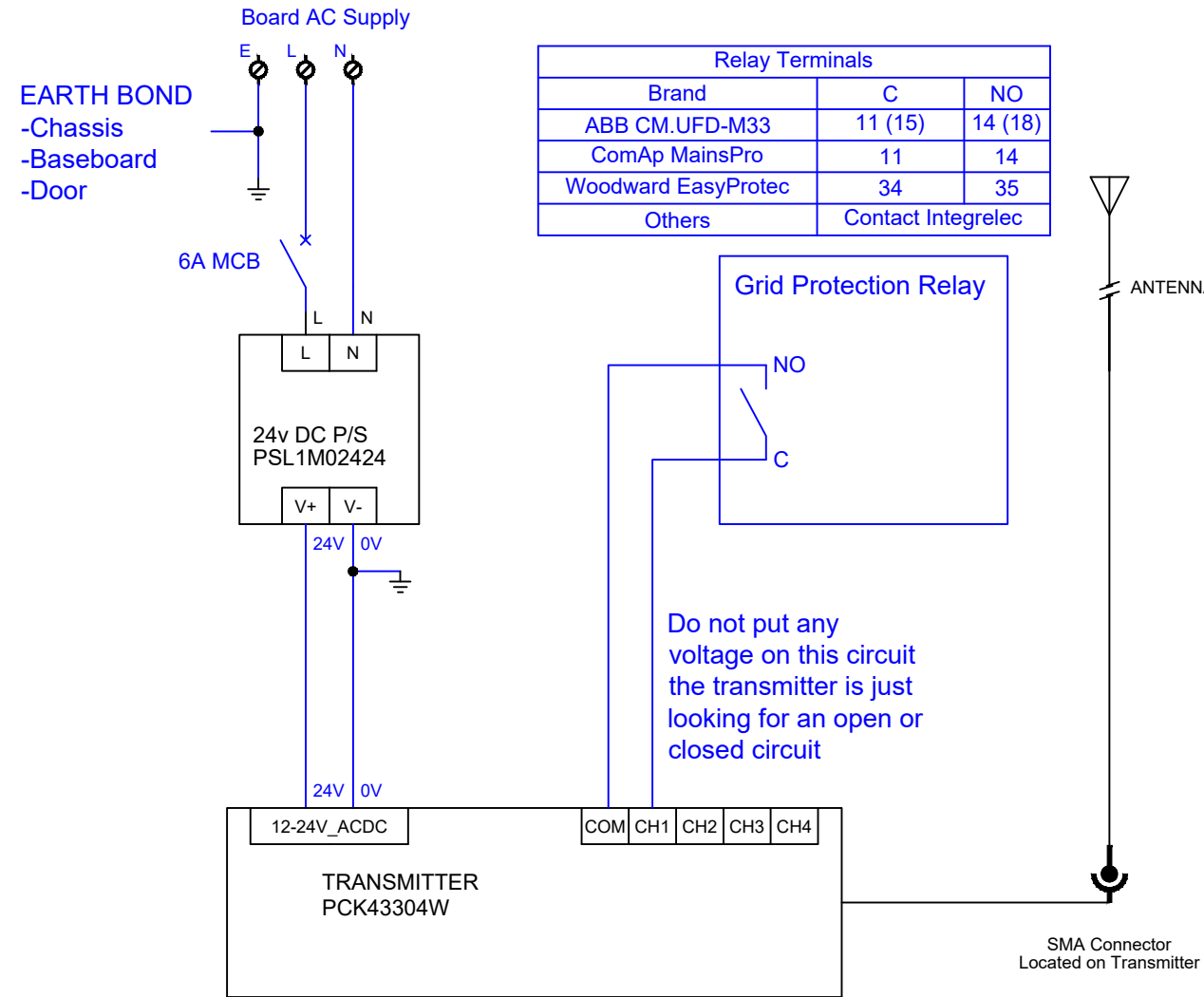


WIRELESS CONTACTOR KIT WIRING

BLACK: PART OF KIT
 BLUE: TO BE SUPPLIED BY INSTALLER

Transmitter Board

Receiver Board



TRANSMITTER MODE SELECTION

1	OFF
2	OFF

POTENTIOMETER: MINIMUM (2 SEC)

BOTH TRANSMITTER AND RECIEVER TO HAVE MATCHING 12 BIT CODES ON BLUE DIP SWITCHES. KEEP THIS UNIQUE FROM OTHER TRANSMITTERS IN THE AREA
 DEFAULT: SWITCHES 1, 3 & 8 UP, REMAINDER DOWN.

RECEIVER MODE SELECTION

1	OFF
2	ON
3	ON

POTENTIOMETER: NARROWLY BELOW
 5 SECOND DELAY

Plot Date: 9/3/21 Last Printed By: Andrew Last Saved By: Andrew

E		
D		
C		
B	UPDATED TO CLARIFY	05/07/21
A	ISSUED FOR INSTALL	19/01/21
REV	DESCRIPTION	DATE



DESIGNED INTEGRELEC	PROJECT MGR. Duane Stapleton
DRAWN Michael Price	APPROVED Daniel Prusac
DATE: 30/07/2021	

IPS Wireless Contactor Kit
INTEGRELEC
 Unit 8/19 Lensworth St.
 Wiring Diagram

DO NOT SCALE	
SCALE: NTS	
DRAWING NUMBER	SERIAL NUMBER
IPS_WCC_04A01	12093
SHEET 1 OF 9	REVISION # B