



Innovative Electrical Automation Solutions

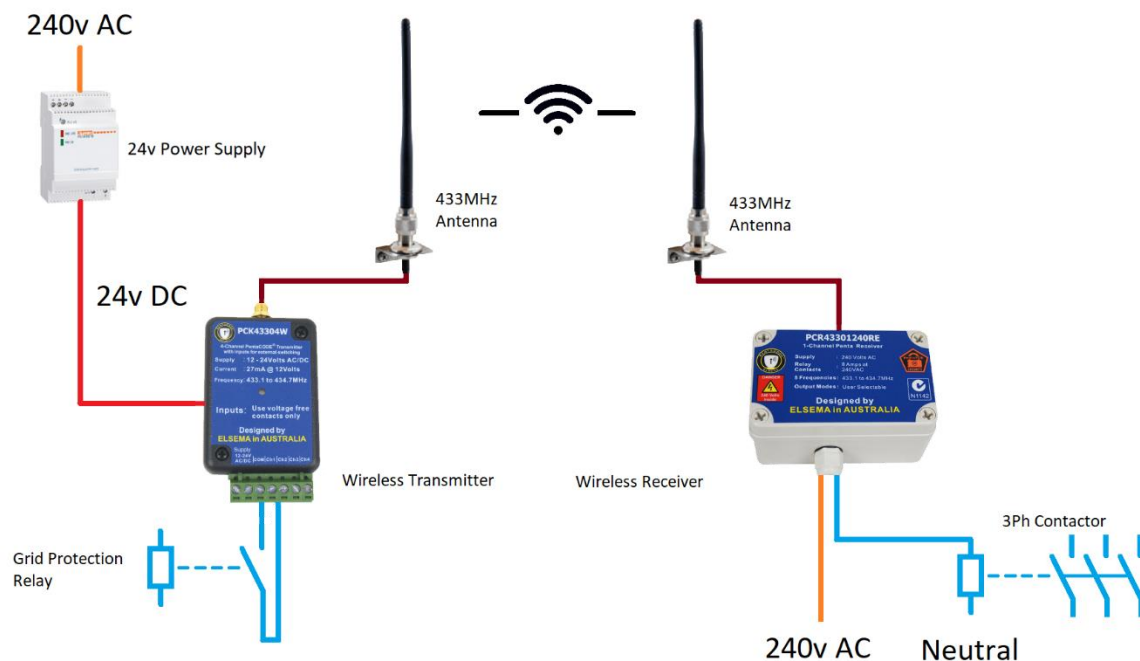
## Wireless Contactor Control

The Wireless Contactor Control provides a relay output that wirelessly mirrors the state of the grid protection relay. This can prove useful in systems where a wired link may be either unfeasible or impracticable.

The PentaCODE transmitter/receiver pair provide both instant-on and instant-off functionality, as well as off-on-disconnect, complying with Energy Queensland STNW1174 s4.7.2/s4.7.4.1

The transmitter/receiver pair are supplied pre-paired and with antennas. A DIN-mount power supply is provided for powering the transmitter, the receiver is directly powered via 240VAC.

### Module Wiring Layout



### Antenna Mounting

It is recommended that the antenna be mounted as high as practicable, and that the path between the pair be free of obstructions.

The wireless pair is supplied with a pair of 433MHz 4.5dBi antennas. A 6dBi antenna upgrade option can be purchased if the customer requires an extended range.